

GN 417

Indexing plungers

with and without rest position



Specification

Version without rest position

Types

- Type **A**: without rest position (lifting ring)
- Type **B**: without rest position (Knob)

This information applies to both standards:

Guide

Zinc die casting

plastic coated

black, textured finish

Pin

Stainless Steel AISI 303

Spring

Stainless Steel AISI 301

Lifting ring

Stainless Steel AISI 301

Knob

Plastic (Polyamide PA)

- black, matt
- not removable

Information

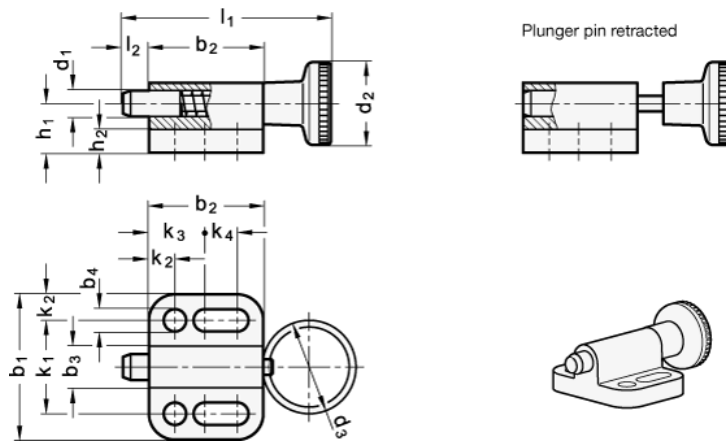
The screwing range of indexing plungers GN 417 is chosen in such a way that washers ISO 7092 can be used.

Indexing plungers GN 417 type C with rest position are used in such applications where the plunger has to stay in its retracted position. To achieve this, the knob is rotated by 90° degrees after being retracted. A notch keeps the plunger in this position.

- [Range of indexing plungers](#)

Technical information

- [ISO-Fundamental Tolerances](#)
- [Stainless Steel characteristics](#)
- [Plastic characteristics](#)
- [Load rating information](#)



GN 417

Description	d ₁ Bore +0.03/+0.08	Pin h ₁₁	d ₂	d ₃	b ₁	b ₂	b ₃	b ₄ -0.2	h ₁	h ₂	k ₁ ±0.05	k ₂	k ₃	k ₄	l ₁	l ₂ ±0.5	Spring load in N ≈ initial	Spring load in N ≈ end	Weight
GN 417-4-A	4	-	14	22	16.5	6	3.3	7	4	14	4	8	4.5	-	4	3	12	11	
GN 417-5-A	5	-	18	28	22	8	4.3	9.5	4.5	18	5	10	7	-	5	5	24	22	
GN 417-6-A	6	-	24	32	27.5	10	5.4	10.5	5	21	5.5	21	10	-	6	5	21	36	
GN 417-8-A	8	-	30	34	33	12	5.4	12.5	6	23	5.5	12	15.5	-	8	6	22	58	
GN 417-10-A	10	-	30	39	35	14.5	6.5	14.5	6	27	6	15	13.5	-	10	4	25	83	
GN 417-4-B	4	-	12	22	16.5	6	3.3	7	4	14	4	8	4.5	30.5	4	3	12	11	
GN 417-5-B	5	-	16	28	22	8	4.3	9.5	4.5	18	5	10	7	40	5	5	24	22	
GN 417-6-B	6	-	18	32	27.5	10	5.4	10.5	5	21	5.5	21	10	49	6	5	21	25	
GN 417-8-B	8	-	21	34	33	12	5.4	12.5	6	23	5.5	12	15.5	59	8	6	22	59	
GN 417-10-B	10	-	25	39	35	14.5	6.5	14.5	6	27	6	15	13.5	67.5	10	4	25	34	